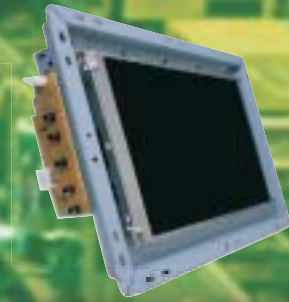


10.4" Industrial Open Frame TFT LCD Monitor

# Industrial Application



Where Versatility Meets Flexibility

## K10PS-FA

Configuration		K10PS-FA
LCD Display		10.4" TFT active matrix panel
Pixel Pitch		0.264(H) x 0.264 (V) mm
Max. Resolution		SVGA 800 x 600
Contrast Ratio		400:1 (typical)
Brightness		220 Cd/m <sup>2</sup> (typical)
Response Time ( Tr+ Tf )		45 ms (typical)
Display Color		262K
Effective Display Area		211.2(H) x 158.4(V)
Viewing Angle (CR ≥ 10)		110° (H) x 80° (V)
Backlight		CCFL x 1
Lamp Life		20,000(hr)
Input Signals		Analogue VGA
Signal Connector	Analog	D-sub 15 pin (VGA)
	Digital	N/A
	Video-in	RCA, S-video (option)
Scan Frequency		H. scan 31 ~ 54KHz, V. scan 56 ~ 85Hz
Speakers		N/A
USB HUB		N/A
Touch panel		Resistive/Capacitive - RS232 or USB A type (Option)
Key Control		Power on/off with LED, Menu, Select, Adjustment (+, - )
Operating Condition	Temperature	0°C-50°C (32°F-122°F)
	Humidity	20%-80% (no condensation)
	Altitude	To 10,000 feet
Storage Condition	Temperature	-20°C-60°C ( -4°F-140°F )
	Humidity	10%-90% ( no condensation )
Power		Universal power adaptor Input AC 100~240V , 50~60Hz Output DC 12V/2A
Power Consumption		18W
Power Management		VESA DPMS Standard
Dimensions (WxHxD)		302 x 242 x 39 mm
Dimensions (Carton 2 in 1)		430 x 310 x 118 mm
Weight (Net)		1.7 Kg

### Features :

- \* High contrast color TFT LCD open frame display support resolution up to XGA 800 x 600. Compatible with IBM VGA, VESA standards.
- Flexible mechanical designs for industrial applications.
- Multi-signals: VGA, Composite video, s-video (Auto detection of input signals).
- Composite video system PAL/NTSC and SECAM compatible.
- Support DDC1/2B for Plug & Play compatibility.
- Advanced OSD control for picture quality adjustment.
- Optional touch solutions.

### Optional Accessories :

- 3M 5 Wire resistive touch panel.
- 3M Capacitive touch panel.
- ELO 5 Wire resistive touch panel.
- Anti-Glare tempered glass.
- Customized touch solution acceptable.

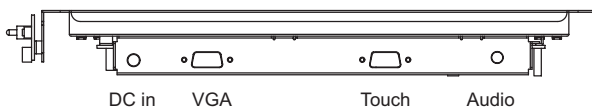
### Ordering Information :

- K10PS-FA VGA only
- \* K10PS-FW VGA, Video-in

\* Specifications are subject to change without notice.

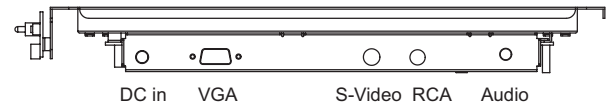
### Mechanical drawing

#### I/O Ports



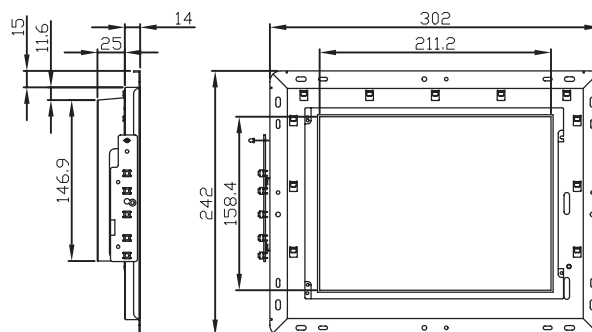
DC in VGA Touch Audio

#### Video I/O Ports



DC in VGA S-Video RCA Audio

UNOT : mm



Front Side