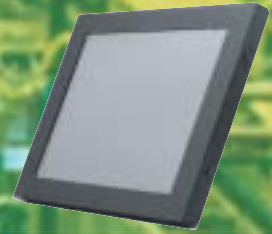


10.4" Industrial Chassis TFT LCD Monitor

# Industrial Application



Where Versatility Meets Flexibility

## K10AS-CA

Configuration		K10AS-CA
LCD Display		10.4" TFT active matrix panel
Pixel Pitch		0.264 (H) x 0.264 (V) mm
Max. Resolution		SVGA 800 x 600
Contrast Ratio		400:1 (typical)
Brightness		220 Cd/m <sup>2</sup> (typical)
Response Time ( Tr+ Tf )		45 ms (typical)
Display Color		262K
Effective Display Area		211.2 (V) x 158.4 (H)
Viewing Angle (CR ≥ 10)		110° (H) x 80° (V)
Backlight		CCFL x 1
Lamp Life		20,000(hr)
Input Signals		Analogue VGA
Signal Connector	Analog	D-sub 15 pin (VGA)
	Digital	N/A
	Video-in	N/A
Scan Frequency		H. scan 31 ~ 54 KHz, V. scan 56 ~ 85 Hz
Speakers		N/A
USB HUB		N/A
Touch panel		Resistive / capacitive - RS232 or USB A type (option)
Key Control		Power on/off with LED, Menu, Select, Adjustment (+, -)
Operating Condition	Temperature	0°C-50°C (32°F-122°F)
	Humidity	20%-80% (no condensation)
	Altitude	To 10,000 feet
Storage Condition	Temperature	-20°C-60°C ( -4°F-140°F )
	Humidity	10%-90% ( no condensation )
Power		Universal power adaptor Input AC 100~240V, 50~60Hz Output DC 12V / 2A
Power Consumption		18W
Power Management		VESA DPMS Standard
Dimensions (WxHxD)		265.5 x 207.3 x 46 mm
Dimensions (Carton 2 in 1)		430 x 310 x 118 mm
Weight (Net)		2.2 Kg
Certification		FCC, CE

### Features :

- \* Rugged metal chassis offering strong protection
- \* High contrast color TFT LCD open frame display support resolution up to VGA 800 x 600. Compatible with IBM, VGA, VESA standards.
- \* Flexible mechanical designs for industrial applications.
- \* Support DDC1/2B for Plug & Play compatibility.
- \* Advanced OSD control for picture quality adjustment.
- \* **Industrial OSD foil.**
- \* Optional removable OSD pad.
- \* Optional touch solutions.
- \* **Built-in Industrial Power Plug.**
- \* Hot key for AUTO adjustment.
- \* **Flexible Mounting Solutions - Front Mounting, Rack Mounting & VESA Mounting.**
- \* **Space reserved under I/O port.**
- \* **Input power range 12V ~ 24V supported.**
- \* **IP54 water resistant compliant (Option)**



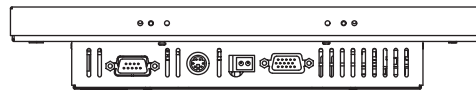
### Optional Accessories :

- 3M/ELO 5 Wire resistive touch panel
- 3M capacitive touch panel
- Higgstec 5 Wire resistive touch panel
- Anti-Glare tempered glass
- Customized touch solution acceptable.
- Front Mounting Frame.
- 19" Rack Mounting Frame.
- Removable OSD Pad

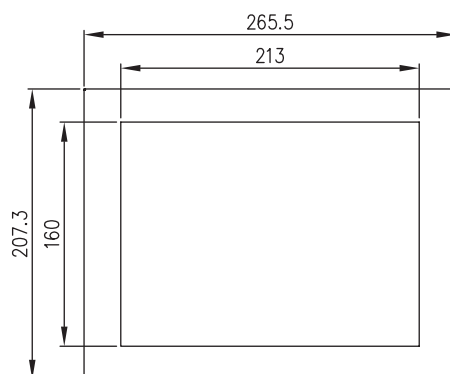
\* Specifications are subject to change without notice.

### Mechanical drawing

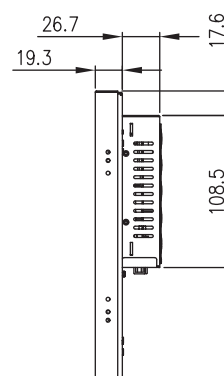
#### I/O Ports



UNIT : mm



Front Side



Back Side