

6.4" Industrial Chassis TFT LCD Monitor

Industrial Application



Where Versatility Meets Flexibility

K06AV-CA

Configuration		K06AV-CA
LCD Display		6.4" TFT active matrix panel
Pixel Pitch		0.204(H) x 0.204 (V) mm
Max. Resolution		VGA 640 x 480
Contrast Ratio		300:1 (typical)
Brightness		250 Cd/m ² (typical)
Response Time (Tr+ Tf)		45 ms (typical)
Display Color		262K
Effective Display Area		130.56 (V) x 97.92 (H)
Viewing Angle (CR ≥ 10)		50° (H) x 90° (V)
Backlight		CCFL x 1
Lamp Life		20,000(hr)
Input Signals		Analogue VGA
Signal Connector	Analog	D-sub 15 pin (VGA)
	Digital	N/A
	Video-in	N/A
Scan Frequency		H. scan 31~38KHz, V. scan 56 ~ 75Hz
Speakers		N/A
USB HUB		N/A
Touch panel		Resistive - RS232 or USB A type (option)
Key Control		Power on/off with LED, Menu, Select, Adjustment (+, -)
Operating Condition	Temperature	0°C-50°C (32°F-122°F)
	Humidity	20%-80% (no condensation)
	Altitude	To 10,000 feet
Storage Condition	Temperature	-20°C-60°C (-4°F-140°F)
	Humidity	10%-90% (no condensation)
Power		Universal power adaptor Input AC 100~240V, 50~60Hz; Output DC 12V / 2A
Power Consumption		16W
Power Management		VESA DPMS Standard
Dimensions (WxHxD)		201.0 x 151.4 x 41.9 mm
Dimensions (Carton 2 in 1)		430 x 310 x 118 mm
Weight (Net)		1.5 Kg
Certification		FCC, CE

Features :

- * Rugged metal chassis offering strong protection
- * High contrast color TFT LCD open frame display support resolution up to VGA 640 x 480. Compatible with IBM VGA, VESA standards.
- * Flexible mechanical designs for industrial applications.
- * Support DDC1/2B for Plug & Play compatibility.
- * Advanced OSD control for picture quality adjustment.
- * **Industrial OSD foil.**
- * Optional removable OSD pad.
- * Optional touch solutions.
- * **Built in Industrial Power Plug.**
- * Hot key for AUTO adjustment.
- * **Flexible Mounting Solutions - Front Mounting, Rack Mounting & VESA Mounting.**
- * **Space reserved under I/O port.**
- * **Input power range 12V ~ 24V supported.**
- * **IP54 water resistant compliant (Option).**



Optional Accessories :

- ELO 5 Wire resistive touch panel.
- Higgstec 5 Wire resistive touch panel.
- Anti-Glare tempered glass.
- Customized touch solution acceptable.
- Front Mounting Frame.
- 19" Rack Mounting Frame.
- Removable OSD Pad.

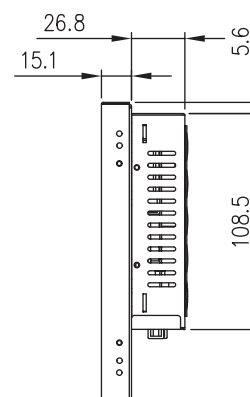
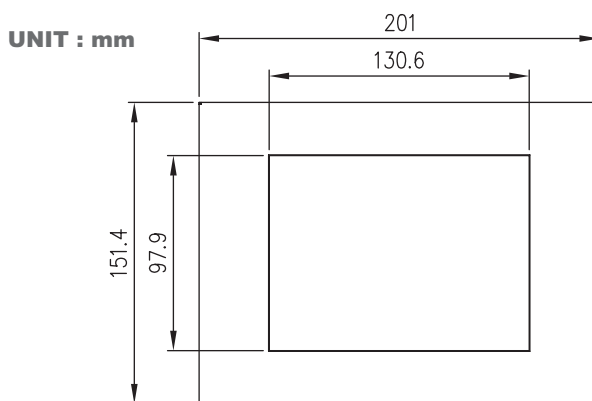
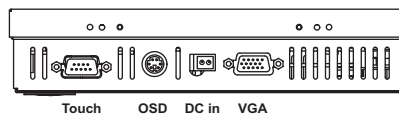
Ordering Information :

- K06AV-CA VGA only

* Specifications are subject to change without notice.

Mechanical drawing

I/O Ports



Front Side